

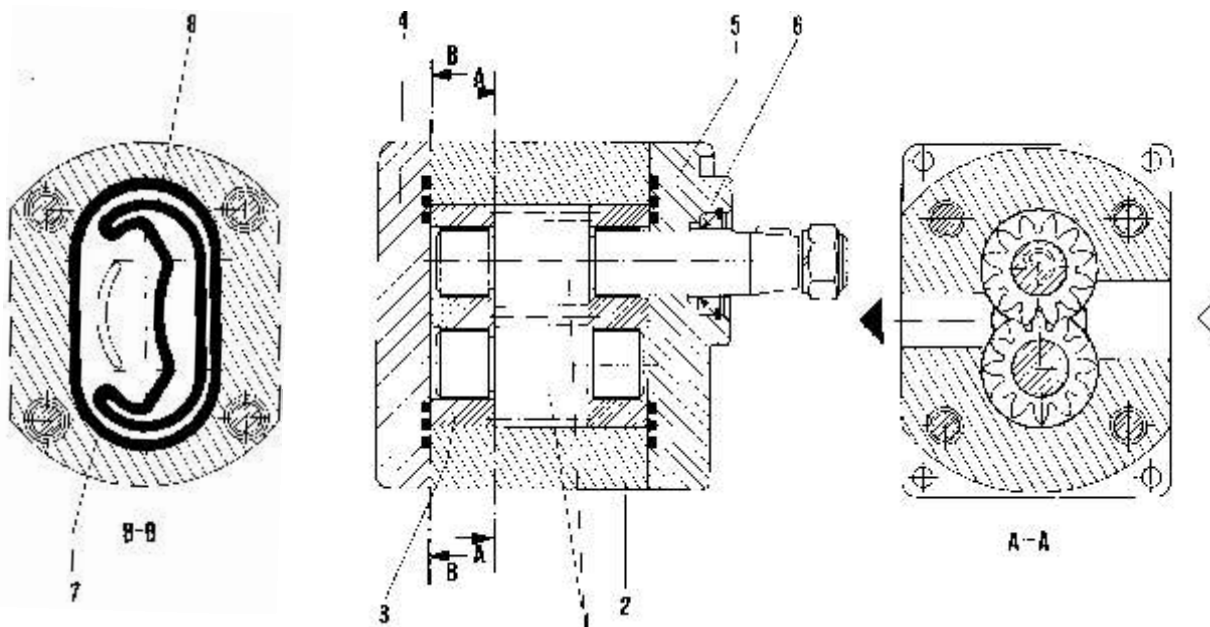
- Velika hidrauli-ka snaga
- Specijalno ule`i (tenje zup-anika
- Automatska regulacija aksijalnog zazora
- Dobar zapreminski i mehani-ki stepen korisnog dejstva
- Jednostavna i robusna konstrukcija uz male gabarite
- Dobar u-inak i u najte`im radnim uslovima
- Serijska proizvodnja sa strogom kontrolom kvaliteta
- Vi{e varijanti izvo|enja:
 1. Standard
 2. DM - prema DIN standardu
 3. SAE - prema SAE standardu
 4. CV - sa cilindri-nim oblikom pogonskog vratila
 5. SN - specijalne, za ugradnju na traktore (videti odvojeni katalog)

- High hydraulic power
- Special supporting gear bearings
- Automatic regulation of axial clearance
- High volumetric and mechanical efficiency
- Simple and robust construction, with small overall dimensions
- Satisfactory performance under the heaviest duties
- Serial production with accurate control of quality
- Several pump types:
 1. Standard
 2. DM - to DIN standards
 3. SAE - to SAE standards
 4. CV - with cylindrical shaft
 5. SN - special pumps, application on tractors (see separately catalogue)



A

PRESEK - PRINCIP RADA
SECTION - MODE OF OPERATION



1. Zup-asti par
2. Ku`i{te
3. Le`aji
4. Zadnji poklopac
5. Prednji poklopac
6. Osovinska zaptivka
7. Zaptivka za spre-avanje spolja{njeg curenja
8. Zaptivka za kompenzaciju aksijalnog zazora

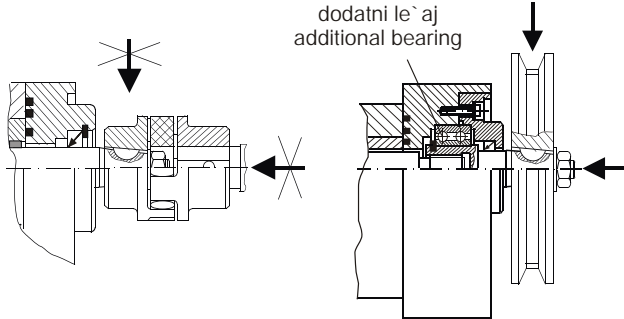
1. Couple of gears
2. Housing
3. Bearings
4. Rear cover
5. Front cover
6. Shaft seal
7. Seal to prevent external leakage
8. Axial clearance compensating seal

POGON

Pumpe se pogone preko elasti-ne spojnice. Radijalne i aksijalne sile nisu dozvoljene. Ako se pumpe pogone preko kai{nika ili zup-anika neophodno je izabrati pumpu sa dodatnim le`ajem u prednjem poklopcu.

DRIVE ARRANGEMENTS

The pumps are driven by flexible coupling. Radial and axial forces on to driven shaft are not permissible. If the pump by V-belt or gear wheel driven is, then must be pump with additional bearing in front cover (flange) chosen.

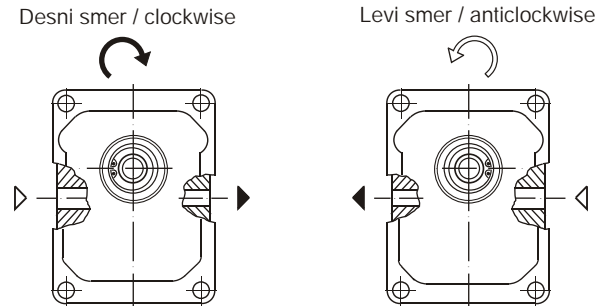


SMER OBRTANJA

Pumpe se isporu-uju za rad u levom ili desnom smeru obrtanja. Nije dozvoljen rad pumpe u suprotnom smeru. Smer se odre|uje posmatranjem pumpe sa -ela pogonskog vratila i ozna-en je strelicom na prednjem poklopcu.

DIRECTION OF ROTATION

Clockwise or anticlockwise (looking on shaft). The pump may only be driven in the direction indicated. Direction of rotation is marked on the front cover.

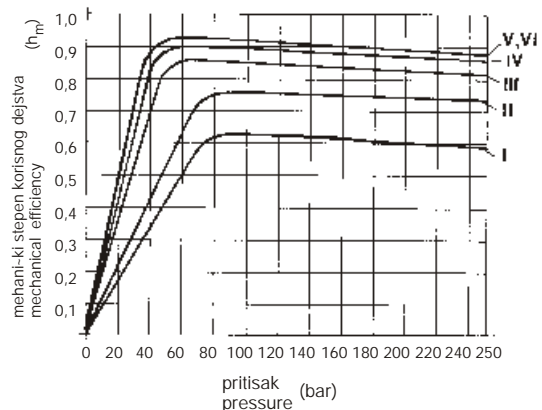
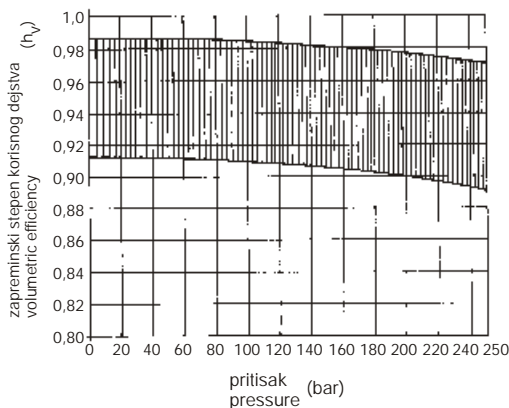


A

TEHNI^KE KARAKTERISTIKE TECHNICAL DATA

Simbol Symbol		
Priklju-ivanje vodova Line connection	otvori sa navojem ili prirubnice threaded ports or flanges	
Smer obrtanja Rotation direction	levi ili desni anticlockwise or clockwise	
Polo`aj ugradnje Mounting position	proizvoljan optional	
Na-in pogona Drive mode	obrnim momentom:	bez dodatnog le`aja (radijal. i aksijal. sile nisu dozvoljene) sa dodatnim le`ajem (radijal. i aksijal. sile su dozvoljene)
	with torque:	without additional bearing (rad. and axial forces not perm.) with additional bearing (radial and axial forces permissible)
Temperatura okoline Ambient temperature (°C)	-20 ... +40	
Protok, pritisak, broj obrtaja Flow, pressure, speed	u tabelama na narednim stranicama given in tables on following pages	
Fino}a filtriranja (mm) Filtering fineness	usisni vod suction line	150
	potisni vod pressure line	25
Potpritisak u usisnom vodu Suction line permissible subpressure (bar)	0,25	
Nadpritisak u usisnom vodu Suction line permissible overpressure (bar)	0,50	
Radna te-nost Working fluid	mineralno ulje mineral oil	
	viskozitet (mm ² /s) viscosity	optimalni: 16 ... 90 / kratko pri startu: optimal: intermittent for starting: 800
	temperatura (°C) temperature	-20 ... +80

KARAKTERISTI^NI DIJAGRAMI (za ulje viskoziteta 37mm²/s, 1500 o/min) CHARACTERISTIC DIAGRAMS (for oil of 37mm²/s viscosity, speed 1500 rpm)



ZUP^ASTE PUMPE 3115 - STANDARD GEAR PUMPS 3115 - STANDARD

TEHNI^KE KARAKTERISTIKE
TECHNICAL DATA

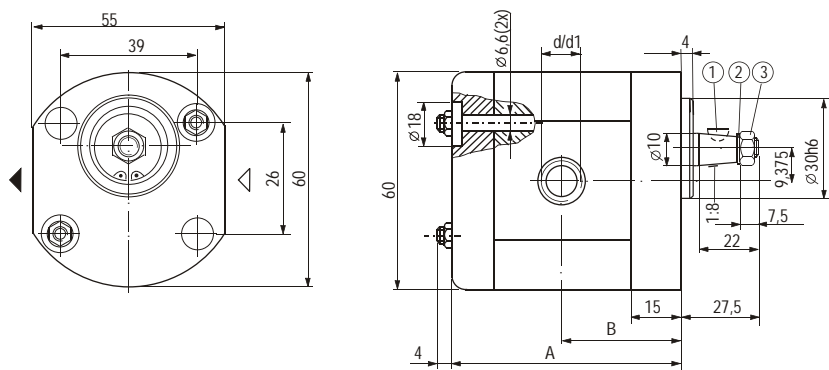
oznaka designation			radna zapremina displacement (cm ³)	pritisak pressure		broj obrtaja speed			masa mass (kg)	
				nom.	max	min	nom.	max		
veli-ina size	levi smer anticlockwise	desni smer clockwise		(bar)		(min ⁻¹) (rpm)				
I	3115.417.67M	3115.417.68M	0,66	200	250	500	1500	3500	0,5	
	3115.418.67M	3115.418.68M	1,06						0,5	
II	3115.471.28M	3115.471.29M	1,66	200	250	500	1500	3000	1,0	
	3115.472.28M	3115.472.29M	2,66						1,2	
	3115.473.28M	3115.473.29M	4,2						1,7	
III	ZPB.474.28M ¹⁾	ZPB.474.29M ²⁾	6,6	250	300	500	1500	2000	3,2	
	* ZPB.474.34M ³⁾	ZPB.474.35M ⁴⁾							3000	3,8
	ZPB.475.28M ⁵⁾	ZPB.475.29M ⁶⁾	11,0						2000	3,4
	* ZPB.475.34M ⁷⁾	ZPB.475.35M ⁸⁾							3000	4,1
	ZPB.920.28M ⁹⁾	ZPB.920.29M ¹⁰⁾	14,0						2000	3,5
	* ZPB.920.34M ¹¹⁾	ZPB.920.35M ¹²⁾							3000	4,2
	ZPB.476.28M ¹³⁾	ZPB.476.29M ¹⁴⁾	16,0						2000	3,7
	* ZPB.476.34M ¹⁵⁾	ZPB.476.35M ¹⁶⁾							160	200
IV	3115.477.28M	3115.477.29M	26,66	160	200	500	1500	3000	7,0	
	* 3115.477.34M	3115.477.36M							8,2	
	3115.478.28M	3115.478.29M	33,33						7,4	
	* 3115.478.34M	3115.478.35M							8,8	
V	3115.479.19M	3115.479.20M	42	160	200	500	1500	2500	11,9	
	* 3115.479.25M	3115.479.26M							13,7	
	3115.480.19M	3115.480.20M	53,33						12,0	
	* 3115.480.25M	3115.480.26M							14,0	
	3115.481.19M	3115.481.20M	66,66						12,5	
	* 3115.481.25M	3115.481.26M							14,1	
VI	3115.482.19M	3115.482.20M	83,33	160	200	500	1500	2500	15,0	
	* 3115.482.25M	3115.482.26M							19,0	
	3115.484.19M	3115.484.20M	106,66						20,3	
	* 3115.484.25M	3115.484.26M							23,5	

* Pumpe sa le`ajem u prednjem poklopcu
Pumps with the bearing located in the front cover

Stare oznake: 1) 3115.474.28M 5) 3115.475.28M 9) 3115.920.28M 13) 3115.476.28M
Previous designations: 2) 3115.474.29M 6) 3115.475.29M 10) 3115.920.29M 14) 3115.476.29M
 3) 3115.474.34M 7) 3115.475.34M 11) 3115.920.34M 15) 3115.476.34M
 4) 3115.474.35M 8) 3115.475.35M 12) 3115.920.35M 16) 3115.476.35M

UGRADNI CRTE@ (mere u mm)
MOUNTING DRAWING (dimensions in mm)

VELI^INA I / SIZE I



- ① klin key 2,5x3,7 JUS M.C2.050
- ② podlo{ka washer B6 JUS M.B2.110
- ③ navrtka nut M6 JUS M.B1.601

Napomena: crte`om je prikazana pumpa levog smera, kod desnog smera priklj. otvori menjaju mesta

Note: Pump with anticlockwise rotation - as shown in drawing, for clockwise rotation inlet and outlet port changed

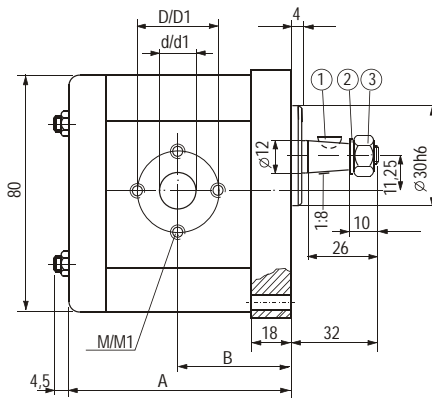
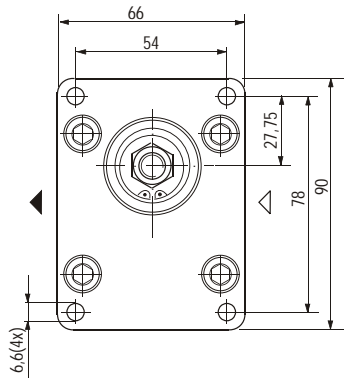
Oznaka Designation		radna zapremina displacement (cm ³)	Usisni otvor Inlet port	Potisni otvor Outlet port	A	B
levi / anticlockwise	desni / clockwise		d	d1		
3115.417.67M	3115.417.68M	0,66	M14x1,5	M12x1,5	44,5	31,25
3115.418.67M	3115.418.68M	1,06			47,5	32,75

A

4

UGRADNI CRTE® (mere u mm)
MOUNTING DRAWING (dimensions in mm)

VELIČINA II / SIZE II



- ① klin key 3x5 JUS M.C2.050
② podložka washer B8 JUS M.B2.110
③ navrtka nut M8 JUS M.B1.601

Napomena: crte`om je prikazana pumpa levog smera, kod desnog smera priklj. otvori menjaju mesta

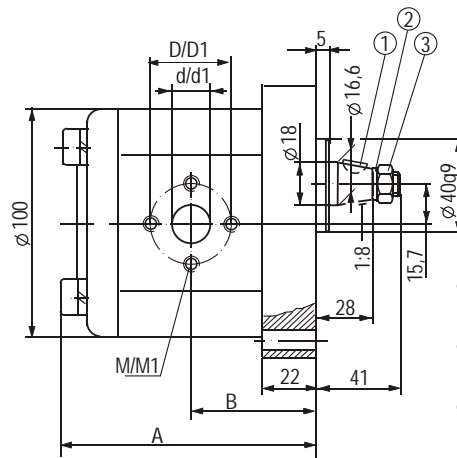
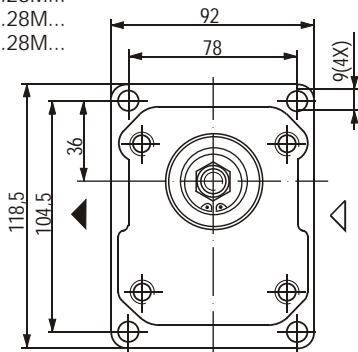
Note: Pump with anticlockwise rotation - as shown in drawing, for clockwise rotation inlet and outlet port changed

Oznaka Designation		radna zapremina displacement (cm ³)	Usisni otvor Inlet port			Potisni otvor Outlet port			A	B
levi / anticlockwise	desni / clockwise		Ød	ØD	M	Ød1	ØD1	M1		
3115.471.28M	3115.471.29M	1,66	7	26	M6/10	4	26	75,5	39,75	
3115.472.28M	3115.472.29M	2,66	8	26	M6/10	5	26	78,5	41,25	
3115.473.28M	3115.473.29M	4,2	10	28		7	26	83	43,5	

A

ZPB.474.28M...
ZPB.475.28M...
ZPB.920.28M...
ZPB.476.28M...

VELIČINA III / SIZE III

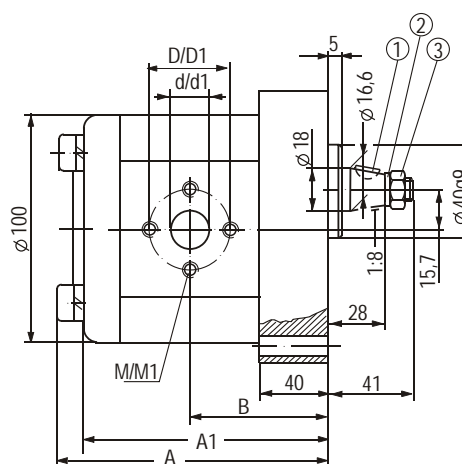
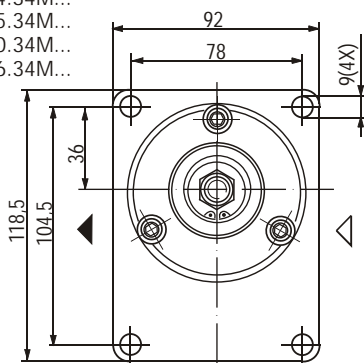


- ① klin key 4x6,5 JUS M.C2.050
② podložka washer B12 JUS M.B2.110
③ navrtka nut M12 JUS M.B1.601

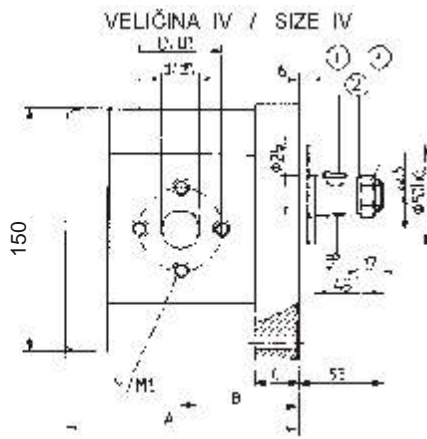
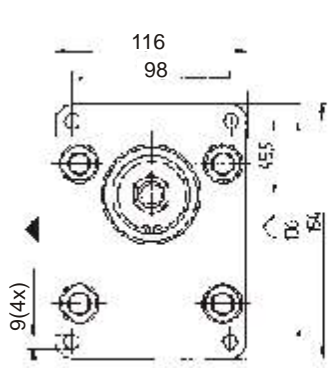
Napomena: crte`om je prikazana pumpa levog smera, kod desnog smera priklj. otvori menjaju mesta

Note: Pump with anticlockwise rotation - as shown in drawing, for clockwise rotation inlet and outlet

ZPB.474.34M...
ZPB.475.34M...
ZPB.920.34M...
ZPB.476.34M...



Oznaka Designation		radna zapremina displacement (cm ³)	Usisni otvor Inlet port			Potisni otvor Outlet port			A	A1	B
levi / anticlockwise	desni / clockwise		Ød	ØD	M	Ød1	ØD1	M1			
ZPB.474.28M	ZPB.474.29M	6,6	12	30	M6/13	8	26	M6/13	97	-	49
ZPB.475.28M	ZPB.475.29M	11,0	16	36		10	28		104,6	-	54
ZPB.920.28M	ZPB.920.29M	14,0	20	39,7	M8/13	13,5	30,2	M6/13	109,6	-	52
ZPB.476.28M	ZPB.476.29M	16,0	20	40		12	30		112,9	-	59,5
ZPB.474.34M	ZPB.474.35M	6,6	12	30	M6/13	8	26	M6/13	130,3	118,1	74
ZPB.475.34M	ZPB.475.35M	11,0	16	36		10	28		137,6	125,4	78
ZPB.920.34M	ZPB.920.35M	14,0	20	40	M8/16	12	30	M6/16	142,6	130,4	81
ZPB.476.34M	ZPB.476.35M	16,0	20	40		12	30		145,9	133,7	80



- ① klin key 5x7,5 JUS M.C2.050
- ② podložka washer B16 JUS M.B2.110
- ③ navrtka nut M16 JUS M.B1.601

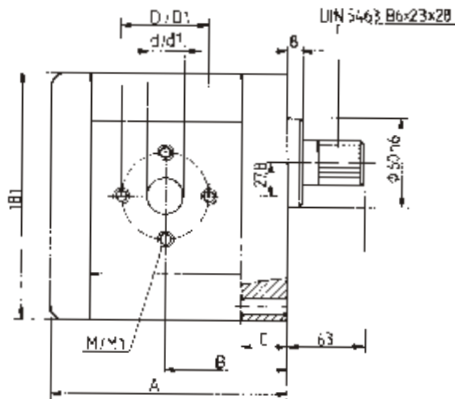
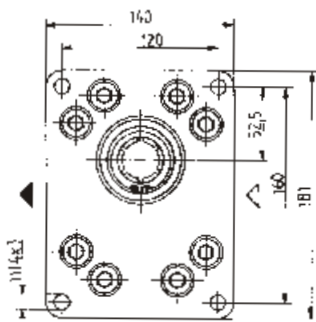
Napomena: crte`om je prikazana pumpa levog smera, kod desnog smera priklj. otvori menjaju mesta

Note: Pump with anticlockwise rotation - as shown in drawing, for clockwise rotation inlet and outlet port changed

Oznaka Designation		radna zapremina displacement (cm ³)	Usisni otvor Inlet port			Potisni otvor Outlet port			A	B	C
levi / anticlockwise	desni / clockwise		Ød	ØD	M	Ød1	ØD1	M1			
3115.477.28M	3115.477.29M	26,66	25	50	M10/18	16	36	M8/16	142	71,5	27
3115.478.28M	3115.478.29M	33,33							147	74	
3115.477.34M	3115.477.35M	26,66	25	50	M10/18	16	36	M8/16	163	92,5	48
3115.478.34M	3115.478.35M	33,33							168	95	

A

VELIČINA V / SIZE V

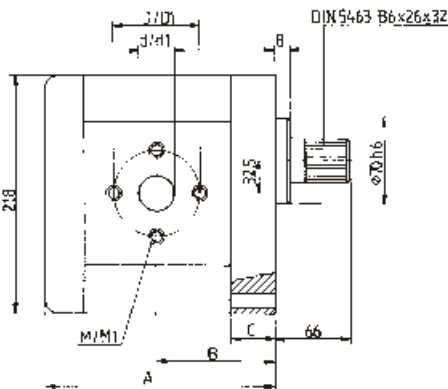
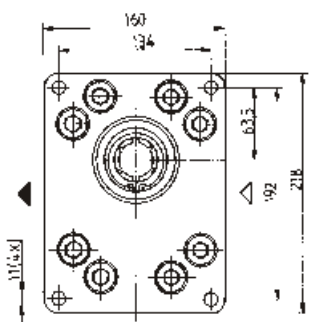


Napomena: crte`om je prikazana pumpa levog smera, kod desnog smera priklj. otvori menjaju mesta

Note: Pump with anticlockwise rotation - as shown in drawing, for clockwise rotation inlet and outlet port changed

Oznaka Designation		radna zapremina displacement (cm ³)	Usisni otvor Inlet port			Potisni otvor Outlet port			A	B	C
levi / anticlockwise	desni / clockwise		Ød	ØD	M	Ød1	ØD1	M1			
3115.479.19M	3115.479.20M	42	25	50	M10/18	16	36	M8/16	164	83	27
3115.480.19M	3115.480.20M	53,33							32	62	
3115.481.19M	3115.481.20M	66,66	32	62	M10/18	16	36	M8/16	177	89,5	55
3115.479.25M	3115.479.26M	42	25	50					20	40	
3115.480.25M	3115.480.26M	53,33	32	62	M10/18	20	40	M8/16	198	114	55
3115.481.25M	3115.481.26M	66,66	32	62					20	40	

VELIČINA VI / SIZE VI



Napomena: crte`om je prikazana pumpa levog smera, kod desnog smera priklj. otvori menjaju mesta

Note: Pump with anticlockwise rotation - as shown in drawing, for clockwise rotation inlet and outlet port changed

Oznaka Designation		radna zapremina displacement (cm ³)	Usisni otvor Inlet port			Potisni otvor Outlet port			A	B	C
levi / anticlockwise	desni / clockwise		Ød	ØD	M	Ød1	ØD1	M1			
3115.482.19M	3115.482.20M	83,33	40	72	M12/20	25	50	M10/18	195	97,5	30
3115.484.19M	3115.484.20M	106,66							203	101,5	
3115.482.25M	3115.482.26M	83,33	40	72	M12/20	25	50	M10/18	230	132,5	65
3115.484.25M	3115.484.26M	106,66							238	136,5	

ZUP^ASTE PUMPE 3115 - DM

GEAR PUMPS 3115 - DM

TEHNI^KE KARAKTERISTIKE

TECHNICAL DATA

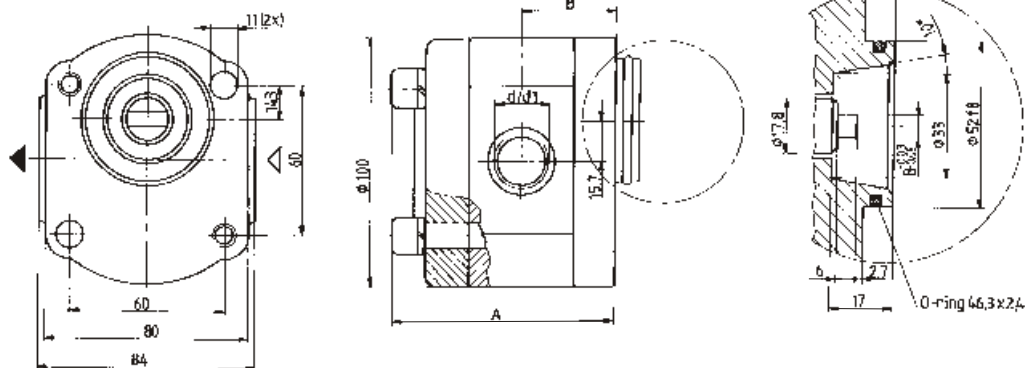
oznaka designation		radna zapremina displacement (cm ³)	pritisak pressure		broj obrtaja speed			masa mass (kg)
			nom.	max	min	nom.	max	
levi smer anticlockwise	desni smer clockwise		(bar)		(min ⁻¹) (rpm)			
3115.472.89		2,66	160	175	500	1500	3500	1,7
3115.472.91		3,00	135	200				1,7
3115.472.73M		3,00	135	200	500	1500	3000	1,8
ZPB.474.91 ¹⁾		5,5	250	300				1,8
* ZPB.912.75 ²⁾	* ZPB.912.76 ³⁾	8	250	300				2,2
3115.934.91		22,5	180	210				2,8
3115.477.93	3115.477.94	26,66	185	210				7,0
3115.478.79	3115.478.78	33,33	160	200				11,0
3115.479.79	3115.479.80	42,00	160	200				500
	3115.479.94	45,00	210	250	500	1500	3000	8,0

* Pumpe sa le^ajem u prednjem poklopcu
Pumps with the bearing located in the front cover

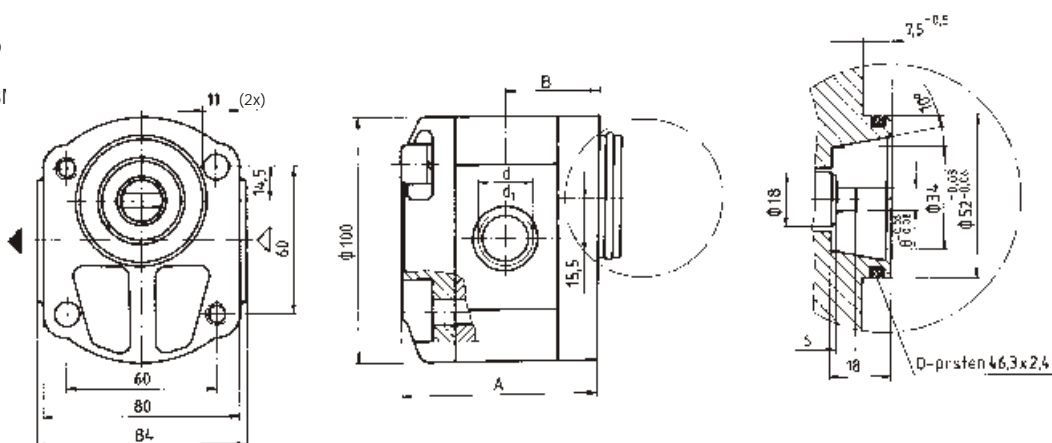
Stare oznake: ¹⁾ 3115.474.91 ²⁾ 3115.912.75 ³⁾ 3115.912.76
Previous designations:

UGRADNI CRTE® (mere u mm)
MOUNTING DRAWING (dimensions in mm)

ZPB.474.91



3115.472.89
3115.472.91
3115.472.731

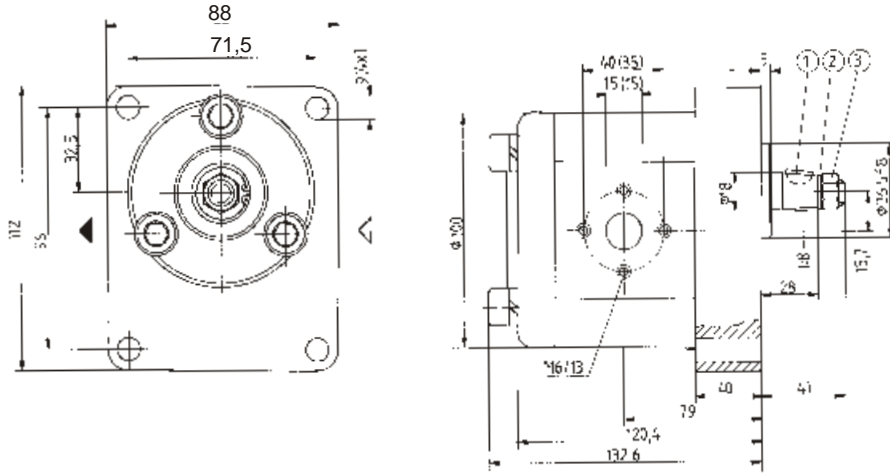


Napomena: crte`om je prikazana pumpa levog smera, kod desnog smera priklj. otvori menjaju mesta.
Note: Pump with anticlockwise rotation - as shown in drawing, for clockwise rotation inlet and outlet port changed

Oznaka Designation		radna zapremina displacement (cm ³)	Usisni otvor Inlet port	Potisni otvor Outlet port	A	B
levi / anticlockwise	desni / clockwise		d	d1		
3115.472.89*		2,66	M18x1,5	M14x1,5	80	38
3115.472.91*		3,00			80,5	38,2
3115.472.73M*		3,00			87,3	39
ZPB.474.91*		5,5	M22x1,5	M18x1,5	88,4	45

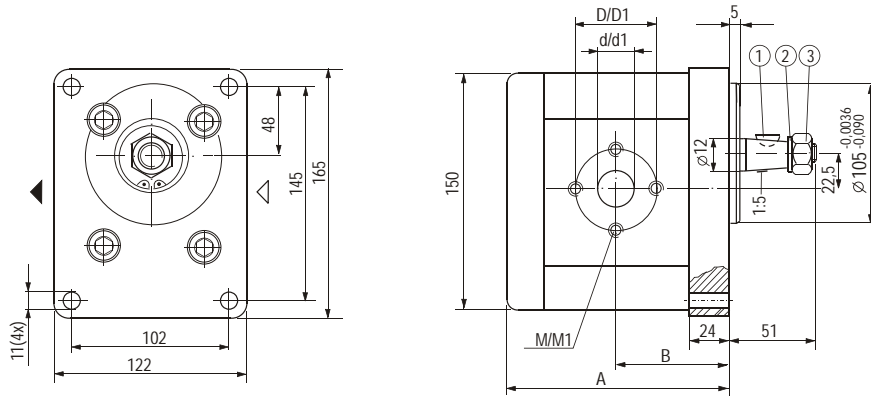
* Pumpe bez osovinske zaptivke / The pumps without shaft seal

ZPB.912.7!
ZPB.912.7!

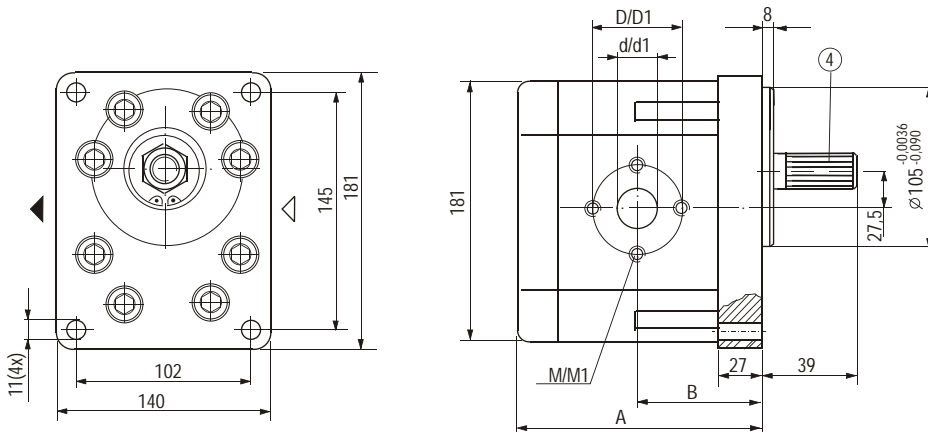


① klin / key 3x6,5 JUS M.C2.050 ② podložka / washer B12 JUS M.B2.110 ③ havrka / nut M12 JUS M.B1.601
Napomena: crte`om je prikazana pumpa levog smera, kod desnog smera priklj. otvori menjaju mesta.
Note: Pump with anticlockwise rotation - as shown in drawing, for clockwise rotation inlet and outlet port changed

3115.477.93
3115.477.94
3115.479.94



3115.478.79
3115.478.78
3115.479.79



① klin / key 5x7,5 JUS M.C2.050 ② podložka / washer B16 JUS M.B2.110 ③ havrka / nut M16 JUS M.B1.601
④ ozubljenje / tothing B28x25 DIN 5482

Napomena: crte`om je prikazana pumpa levog smera, kod desnog smera priklj. otvori menjaju mesta.
Note: Pump with anticlockwise rotation - as shown in drawing, for clockwise rotation inlet and outlet port changed

Oznaka Designation		radna zapremina displacement (cm ³)	Usisni otvor Inlet port			Potisni otvor Outlet port			A	B
levi / anticlockwise	desni / clockwise		Ød	ØD	M	Ød1	ØD1	M1		
3115.477.93	3115.477.94	26,66	25	55	M8/19	25	55	M8/19	139	75
	3115.479.94	45,00			M8/16			M8/16		
3115.478.79	3115.478.78	33,33	25	50	M10/18	16	36	M8/16	159,5	80,7
3115.479.79		42,00			M10/18			M8/16		

ZUP^ASTE PUMPE 3115 - SAE GEAR PUMPS 3115 - SAE

TEHNI^KE KARAKTERISTIKE
TECHNICAL DATA

TYPE SAE - 2

oznaka designation		radna zapremina displacement (cm ³)	pritisak pressure		broj obrtaja speed			masa mass (kg)
			nom.	max	min	nom.	max	
levi smer anticlockwise	desni smer clockwise		(bar)		(min ⁻¹) (rpm)			
	3115.477.98	26,66	200	250	500	1500	2700	8,4
	3115.478.98	33,33						8,8
3115.478.55		33,33						6,3
	3115.479.96	42,00					2500	14,0
3115.480.91	3115.480.92	53,33						14,0
	3115.481.92	66,66						14,5

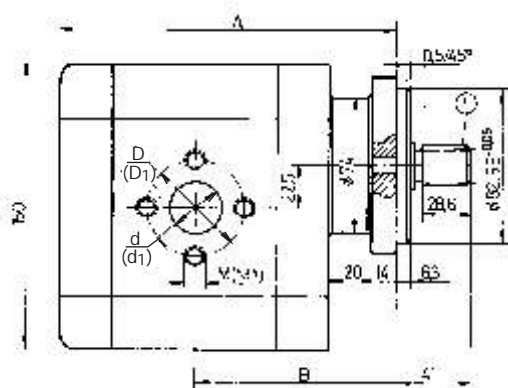
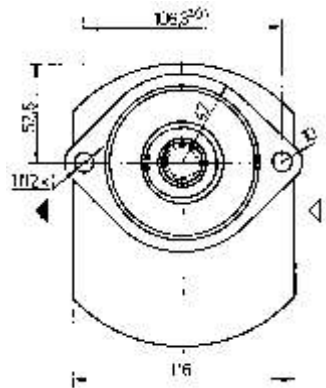
TYPE SAE - 4

	3115.478.82M	34,40	200	250	500	1500	2500	8,8		
3115.479.77M		42,00						13,5		
3115.479.85		42,00						14,0		
3115.480.85		53,33						15,0		
3115.480.75M	3115.480.76M	53,33						14,0		
	3115.480.80	53,33						14,0		
3115.480.89	3115.480.90	53,33	175	210	500	1500	2500	14,0		
	3115.481.80	66,66						14,5		
3115.482.95	3115.482.92	83,33						20,0		
	3115.482.78	83,33						20,0		
3115.430.73	3115.430.74	83,33						125	160	15,0
3115.484.89	3115.484.80M	106,66						175	210	20,0
3115.484.79M	3115.484.78M	106,66	20,0							
3115.407.73M	3115.407.74M	133,33	140	175	2700	22,0				

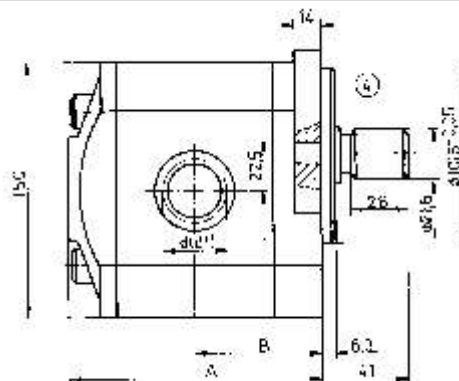
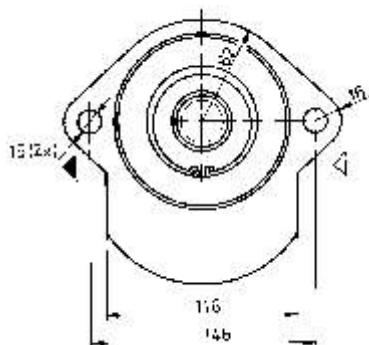
UGRADNI CRTE@ (mere u mm)

MOUNTING DRAWING (dimensions in mm)

3115.477.98
3115.478.98



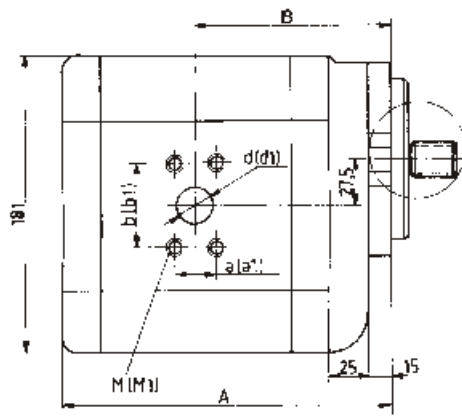
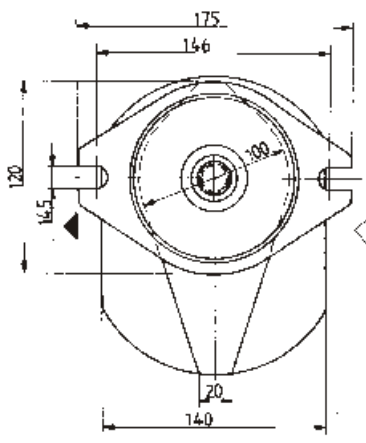
3115.478.55



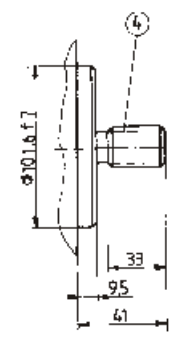
④ ozubljenje/ toothing 7/8 SAE J-498, z=13, a=30°

Napomena: crte`om je prikazana pumpa levog smera, kod desnog smera priklj. otvori menjaju mesta.
Note: Pump with anticlockwise rotation - as shown in drawing, for clockwise rotation inlet and outlet port changed

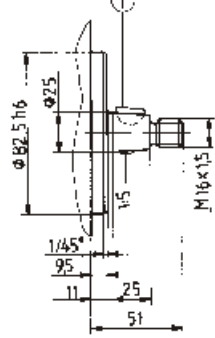
Oznaka Designation		radna zapremina displacement (cm ³)	Usisni otvor Inlet port			Potisni otvor Outlet port			A	B
levi / anticlockwise	desni / clockwise		d	D	M	d1	D1	M1		
	3115.477.98	26,66	19	39,7	5/16"/14	19	39,7	5/16"/14	173	103,5
	3115.478.98	33,33	25	50	M10/18	16	36	M8/16	178	105
3115.478.55		33,33	M33x2	—	—	M33x2	—	—	130	64



type A



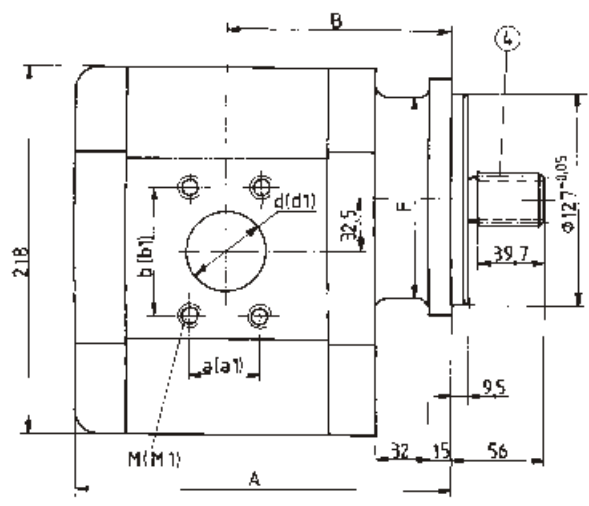
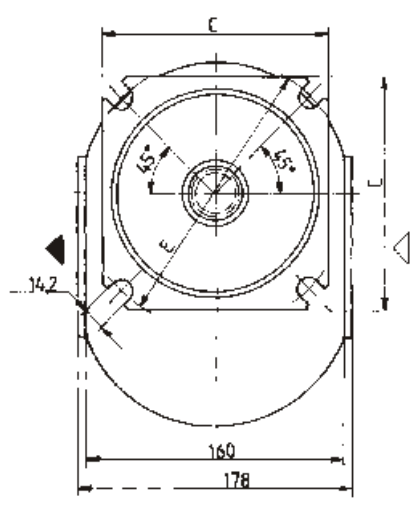
type B



- ① klin / key 5x7,5 JUS M.C.2.050
- ④ ozubljenje/ tothing 7/8 SAE J-498, z=13, a=30°

Napomena: crte`om je prikazana pumpa levog smera, kod desnog smera priklj. otvori menjaju mesta.
 Note: Pump with anticlockwise rotation - as shown in drawing, for clockwise rotation inlet and outlet port changed

Oznaka Designation		radna zapremina displacement (cm ³)	Usisni otvor Inlet port				Potisni otvor Outlet port				A	B	Vratilo Shaft
levi / anticlockwise	desni / clockwise		d	a	b	M	d1	a1	b1	M1			
	3115.479.96	42,00	32	30,1	58,7	M10/16	25	26,2	52,3	M10/19	207	121	type B
3115.480.91	3115.480.92	53,33	32	30,1	58,7	M10/16	25	26,2	52,3	M10/16	208	124	type A
	3115.481.92	66,66	38	35,7	69,8	M12/18	32	30,1	58,7	M10/18	215	127,5	type A

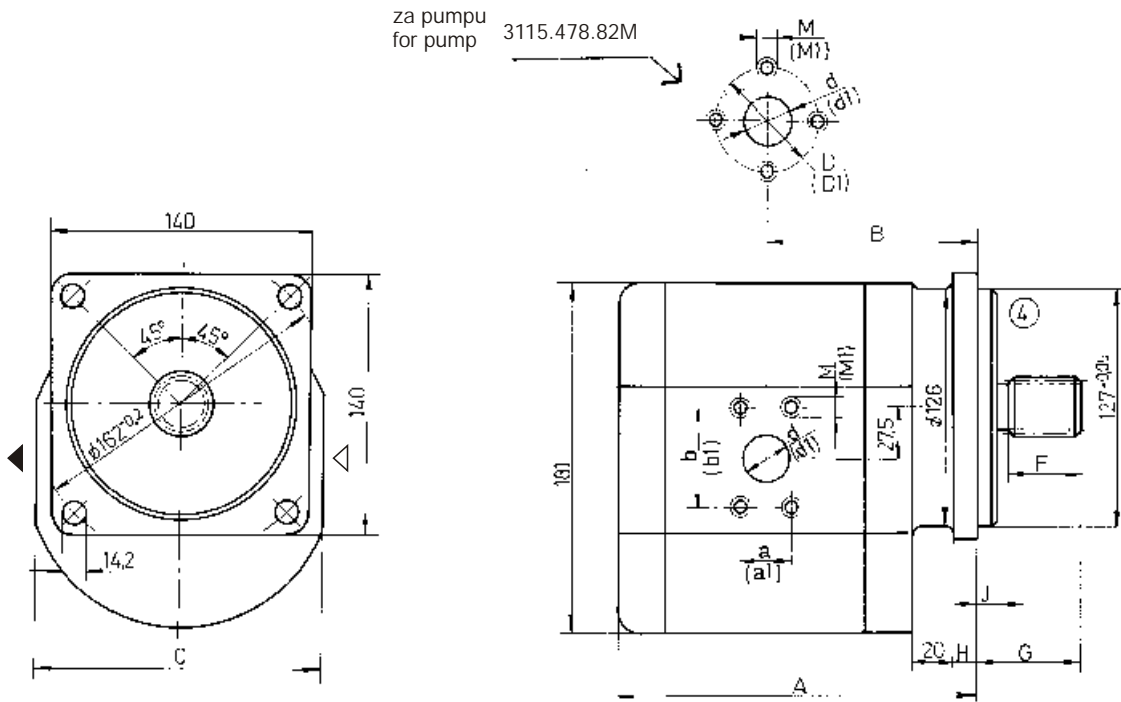


- ④ ozubljenje/ tothing 1 1/4 SAE J-498, z=14, a=30°

Napomena: crte`om je prikazana pumpa levog smera, kod desnog smera priklj. otvori menjaju mesta.
 Note: Pump with anticlockwise rotation - as shown in drawing, for clockwise rotation inlet and outlet port changed

Oznaka Designation		Rad. zapremina Displacement (cm ³)	A	B	C	E	F	Usisni otvor Inlet port				Potisni otvor Outlet port			
levi/anticlockw.	desni/clockwise							d	a	b	M	d1	a1	b1	M1
3115.484.89	3115.484.80M	106,66	250	148,5	140	Ø162	Ø120	50	42,8	77,8	M12/20	38	35,7	69,8	M12/20
3115.484.79M	3115.484.78M	106,66			120	Ø127	Ø100								
3115.482.95	3115.482.92	83,33	242	144,5	140	Ø162	Ø120	38	36,7	69,8	M12/20	32	30,1	58,7	M10/18
	3115.482.78	83,33			120	Ø127	Ø100								

za pumpu
for pump 3115.478.82M

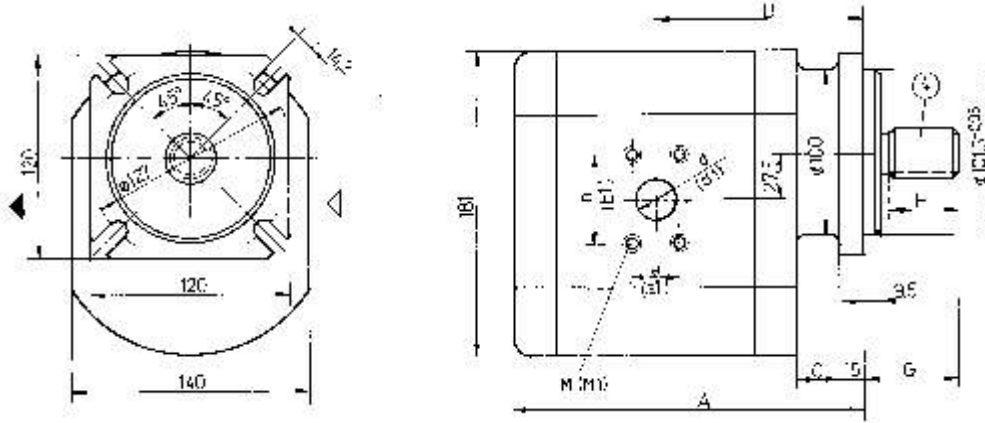


A

Napomena: crte`om je prikazana pumpa levog smera, kod desnog smera priklj. otvori menjaju mesta.
Note: Pump with anticlockwise rotation - as shown in drawing, for clockwise rotation inlet and outlet port changed

Oznaka Designation		Rad. zaprem. Displacement (cm ³)	A	B	C	F	J	G	H	④ Vratilo Shaft
levi/ anticlockwise	desni/ clockwise									
	3115.478.82M	34,40	198	110,7	140	39,7	6,3	55,3	15	1 1/4 SAE J498 z=14, a=30°
3115.479.77M		42,00	192	111	152	38	10	55,3	14,5	
3115.479.85		42,00	192	111	178	38	9,5	55,3	14,5	
3115.480.85		53,33	198,5	114,5	140	33	9,5	4,1	14,5	7/8 SAE J498 z=13, a=30°

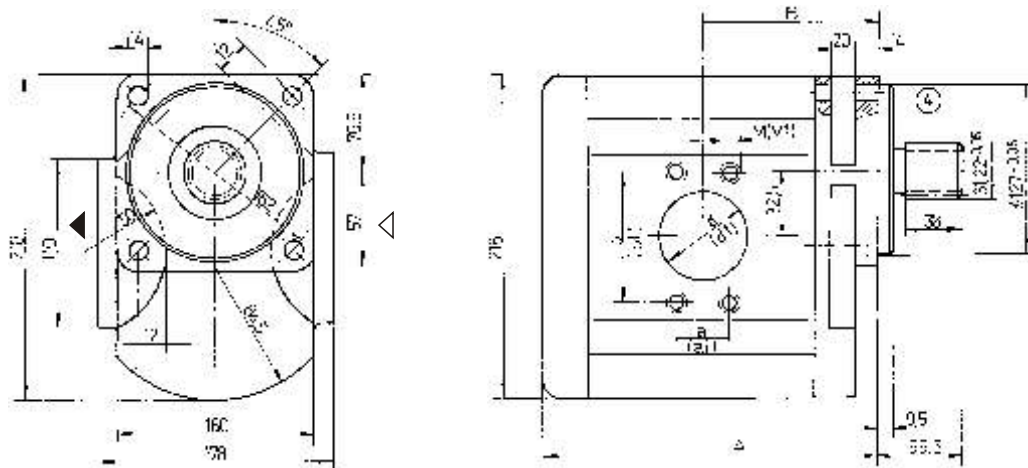
Oznaka Designation		Usisni otvor Inlet port					Potisni otvor Outlet port				
levi/ anticlockwise	desni/ clockwise	d	D	a	b	M	d1	D1	a1	b1	M1
	3115.478.82M	25	50			M10/18	16	36			M8/16
3115.479.77M		32		30,1	58,7	M10/16	25		26,2	52,3	M10/16
3115.479.85											
3115.480.85											



Napomena: crte`om je prikazana pumpa levog smera, kod desnog smera priklj. otvori menjaju mesta.
 Note: Pump with anticlockwise rotation - as shown in drawing, for clockwise rotation inlet and outlet port changed

Oznaka Designation		Rad. zapremina Displacement (cm ³)	A	B	C	E	F	④ Vratilo Shaft
levi/ anticlockwise	desni/ clockwise							
3115.480.75M	3115.480.76M	53,33	208	124	25	39,7	55,6	1 1/4 SAE J498 z=14, α=30°
3115.480.89	3115.480.80	53,33	208	124	25	39,7	55,6	7/8 SAE J498 z=13, α=30°
	3115.480.90	53,33	208	124	25	23	34,9	
3115.430.73	3115.481.90	66,66	215	127,5	25	38,1	55,6	1 1/4 SAE J498 z=14, α=30°
	3115.430.74	83,33	210	130	35	40	56	

Oznaka Designation		Usisni otvor Inlet port				Potisni otvor Outlet port			
levi/ anticlockwise	desni/ clockwise	d	a	b	M	d1	a1	b1	M1
3115.479.75M	3115.479.76M	32	30,1	58,7	M10/16	25	26,2	52,3	M10/16
3115.480.89	3115.480.80								
3115.430.73	3115.481.90	38	35,7	69,8	M12/18	32	30,1	58,7	M10/18
	3115.430.74								



④ ozubljenje/ toothing 1 1/4 SAE J-498, z=14, α=30°

Napomena: crte`om je prikazana pumpa levog smera, kod desnog smera priklj. otvori menjaju mesta.
 Note: Pump with anticlockwise rotation - as shown in drawing, for clockwise rotation inlet and outlet port changed

Oznaka Designation		Rad. zapremina Displacement (cm ³)	A	B	Usisni otvor Inlet port				Potisni otvor Outlet port			
levi/ anticlockwise	desni/ clockwise				d	a	b	M	d1	a1	b1	M1
3115.407.73M	3115.407.74M	133,33	206,5	111,5	60	50,8	88,9	M12/14	38	35,7	69,7	M12/14

A

ZUP^ASTE PUMPE 3115 - CV

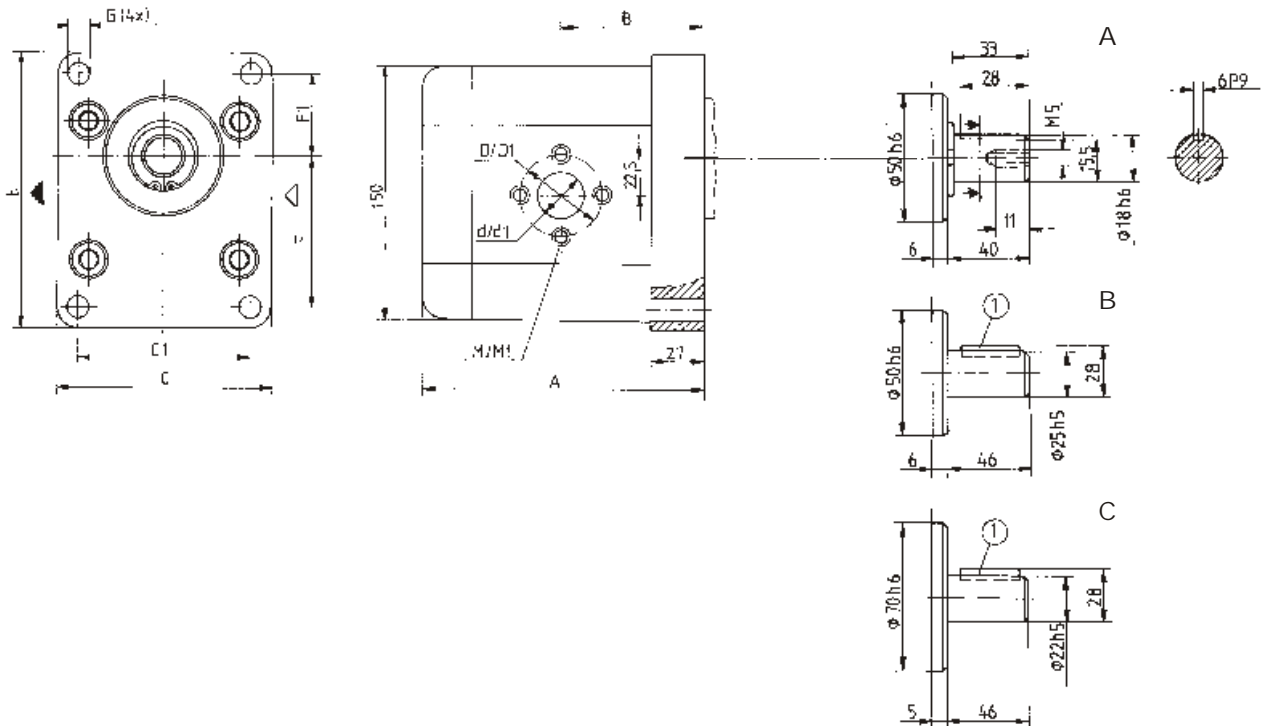
GEAR PUMPS 3115 - CV

TEHNI^KE KARAKTERISTIKE
TECHNICAL DATA

oznaka designation		radna zapremina displacement (cm ³)	pritisak pressure		broj obrtaja speed			masa mass (kg)
			nom.	max	min	nom.	max	
levi smer anticlockwise	desni smer clockwise		(bar)		(min ⁻¹) (rpm)			
	3115.473.02M	4,20	160	200	500	1500	3000	1,2
3115.932.10M		21,40						7,0
	3115.477.02M	26,66						7,0
3115.477.91M	3115.477.92M	26,66						7,4
	3115.478.02M	33,33						7,4
3115.478.91		33,33						7,4
	3115.481.41M	66,66	160	200	500	1500	2500	

A

UGRADNI CRTE® (mere u mm)
MOUNTING DRAWING (dimensions in mm)

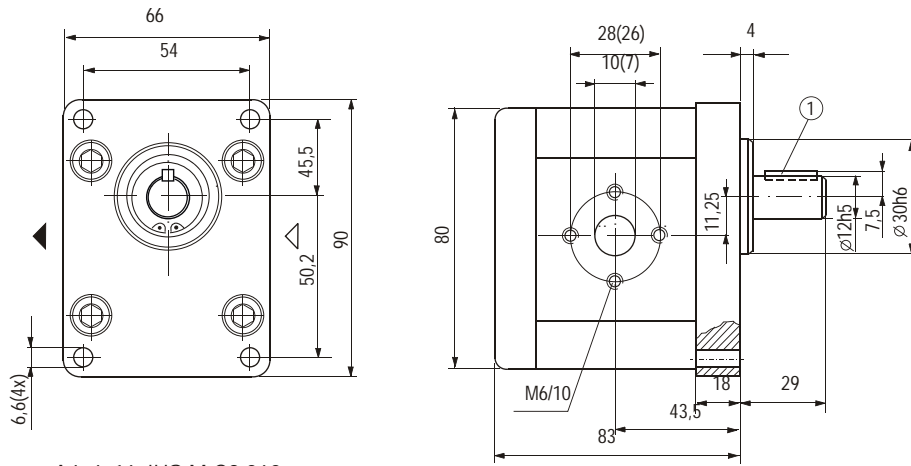


① klin / key A8x7x28 JUS M.C.2.060

Napomena: crte®om je prikazana pumpa desnog smera, kod levog smera priklj. otvori menjaju mesta.
Note: Pump with clockwise rotation - as shown in drawing, for anticlockwise rotation inlet and outlet port changed

Oznaka Designation		Rad. zapremina Displacement (cm ³)	A	B	C	C1	E	F	F1	G	Usisni otvor Inlet port			Potisni otvor Outlet port			Vratilo Shaft
levi / anticlockwise	desni / clockwise										d	D	M	d1	D1	M1	
3115.932.10M		21,40	139	70	116	98	154	90,5	45,5	9	25	50	M10/18	16	36	M8/16	type A
	3115.477.02M	26,66	142	71,5	116	98	154	90,5	45,5	9	25	50	M10/18	16	36	M8/16	type B
	3115.478.02M	33,33	147	74	116	98	154	90,5	45,5	9	25	50	M10/18	16	36	M8/16	type B
3115.477.91M	3115.477.92M	26,66	142	71,5	123	104	162	96	47	11	25	50	M10/18	16	36	M8/16	type C

3115.473.02M



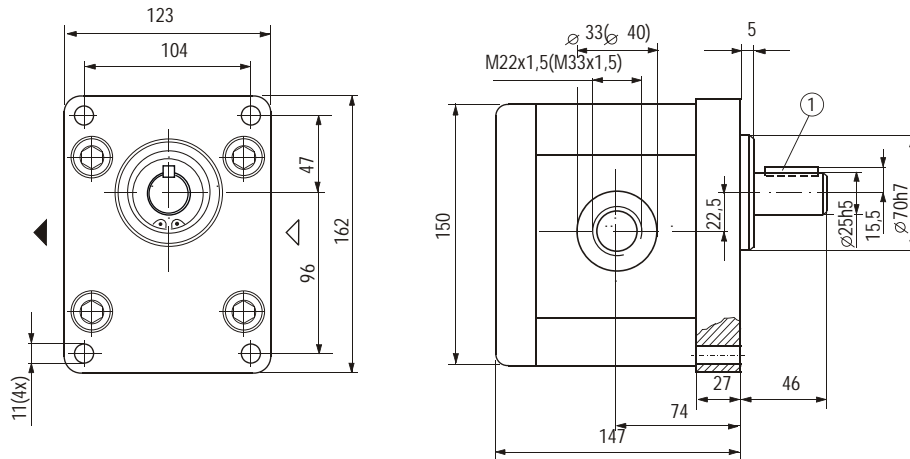
① klin key A4x4x16 JUS M.C.2.060

Napomena: 1. crte`om je prikazana pumpa desnog smera, kod levog smera priklj. otvori menjaju mesta.
2. kote u zagradi va`e za potisni otvor

Note: 1. Pump with clockwise rotation - as shown in drawing, for anticlockwise rotation inlet and outlet port changed
2. The dimensions in brackets refer to the outlet port

A

3115.478.91

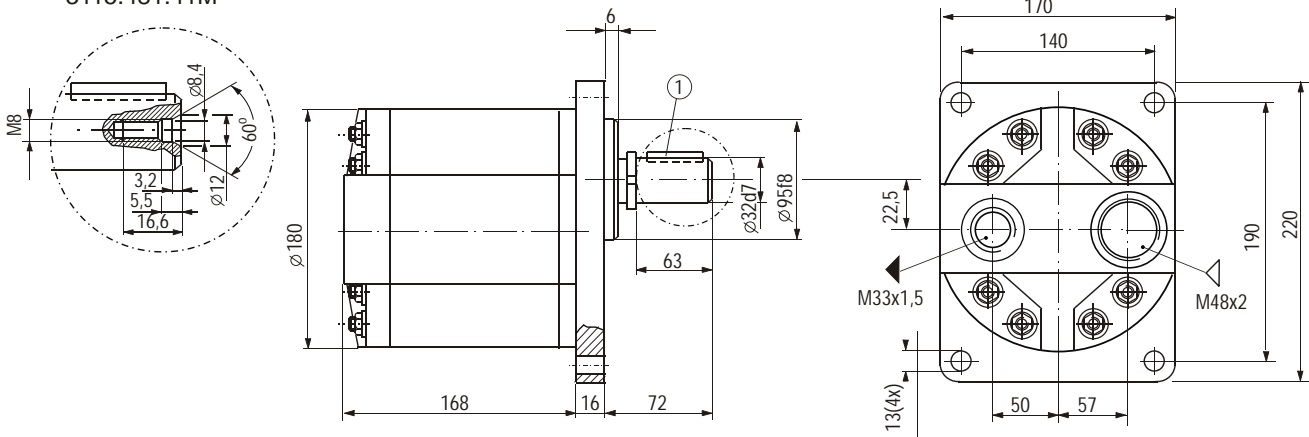


① klin key A8x417x28 JUS M.C.2.060

Napomena: 1. crte`om je prikazana pumpa desnog smera, kod levog smera priklj. otvori menjaju mesta.
2. kote u zagradi va`e za potisni otvor

Note: 1. Pump with clockwise rotation - as shown in drawing, for anticlockwise rotation inlet and outlet port changed
2. The dimensions in brackets refer to the outlet port

3115.481.41M



① klin key A10x8x50 JUS M.C.2.062

Napomena: 1. crte`om je prokazana pumpa desnog smera
2. kote u zagradi va`e za potisni otvor

Note: 1. Pump with clockwise rotation - as shown in drawing
2. The dimensions in brackets refer to the outlet port